

Additional instructions

Storage

After hunting season, store your PBOX by removing the batteries and making sure that the interior is dry. This will prevent damage due to oxydation.




THEFT

If you have bad luck with people to steal your PBOX it is very important to advise us by phone or email to tell us your camera serial #. We will put your serial # on a file and we can help you to find your PBOX.

Warranty

PBOX 2005 has a 90 days warranty. Warranty service for PBOX 2005 may be obtained by delivering the defective product, accompanied by a copy of proof of purchase date, to Circuitronique Estrie Inc. Service center during the applicable warranty period. **If you registered your PBOX 2005 on our WEB site the warranty will be 1 year.** Products returned to service center must be sent prepaid, insured and packaged appropriately for safe shipment. The repaired item will be shipped to customer, by Circuitronique Estrie Inc. no later than (30) days after receiving postage paid.

Options disponibles :

Memory cards 32, 64, 128, 256, 512	USB memory card reader	NI-MH batteries and charger
		

Made in Canada :

Circuitronique Estrie Inc.

6291 Tellier, Rock Forest, Québec J1N 3A8

Site WEB : www.vigil.qc.ca Courriel : info@vigil.qc.ca

PBOX 2005

DIGITAL SURVEILLANCE STILL CAMERA



User's Manuel

Before operating the unit, please read this manual and the camera manual thoroughly, and retain it for future reference.

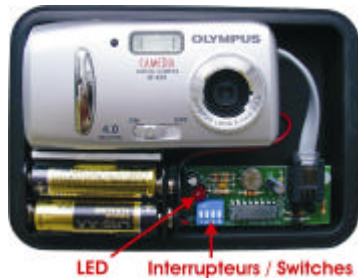
Quick start guide

Insert 2 AA batteries on camera, make sure the camera is off, open the battery compartment/card cover on the side of camera and insert the batteries and close the cover. For extended battery life, we recommend using NiMH rechargeable batteries on the camera.

First time you turn on the camera you need to set the date and time . Connect the black connector at the end of the grey wire. Slide the power switch to on. With the camera on, press menu button. Press UP/DOWN button to select the clock and press OK button. Press UP/DOWN button to select the date format, and press right button to begin to set the date, press UP/DOWN button to set each item, and press right button to move to the next item. Press OK button when you have finished entering the date and time.

For all others setting on the camera please refer to your basic manual or the CD-ROM included with the PBOX.

If you want to take picture set the mode dial to AUTO or if you want you can take 10 seconds video clip if you set the mode dial to VIDEO CAMERA logo.



Switch setting on the electronic circuit board

Insert 4 AA batteries on the battery clip. You can use alkaline or NiMH rechargeable batteries. Never use 9 volt battery, you can cause serious damage to the PBOX. Batteries life varies depending on the type of battery, weather conditions, etc. (approx. 45 days)

Switch # 1

Slide the switch #1 up to put power ON on the circuit board. After you put power on circuit board they have a 2 minutes delay before take his first picture.

Switch # 1	Power
OFF / DOWN	Power OFF
ON / UP	Power ON

Switch # 2 and 3

These switches are to set delays after each picture. You set the switches as you like. You can see below how to set the switches for 4 different delays.

Switch # 2	Switch # 3	Delay
OFF / DOWN	OFF / DOWN	30 seconds
ON / UP	OFF / DOWN	2 minutes
OFF / DOWN	ON / UP	10 minutes
ON / UP	ON / UP	30 minutes

Switch # 4 is for set the sensitivity of the sensor.

Switch # 4	Sensor sensitivity
OFF / DOWN	Hi
ON / UP	Low

Usually this switch is set to HI, but if you take sometime pictures without game on the picture set the switch # 4 to UP (LOW).

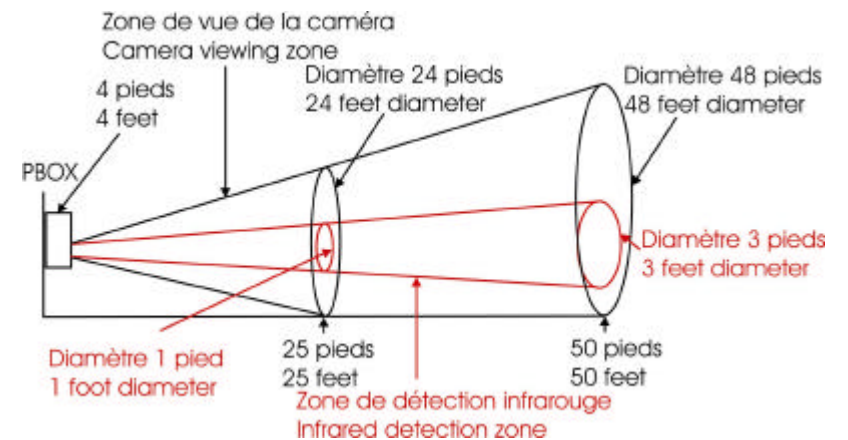
If the red LED flashes has regular time (each second) it is time to change the 4 AA batteries on the battery clip. This red LED is come on each time they have detection.

This connector supply with the PBOX is necessary when you want to set the camera and when you want to use the camera as a regular camera. If you don't hook this connector to the end of grey wire you can not set or use the camera alone.

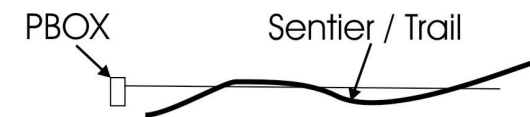


After you have made all setting on the camera and switches on the circuit board it is time to place the PBOX.

Here is the infrared and camera viewing zone.



If you want to install the PBOX on the trail to detect the game in movement, please check the example below to know how to install the PBOX.



Please note after detection that there will be at least delay between pictures.