

Additional instructions

Storage

After hunting season, store your PBOX by removing the batteries and making sure that the interior is dry. This will prevent damage due to oxidation.

THEFT

If you have bad luck with people to steal your PBOX it is very important to advise us by phone or email to tell us your camera serial #. We will put your serial # on a file and we can help you to find your PBOX.

Warranty

PBOX S650 has a 90 days warranty. Warranty service for PBOX S650 may be obtained by delivering the defective product, accompanied by a copy of proof of purchase date, to Circuitronique Estrie Inc. Service center during the applicable warranty period. **If you registered your PBOX S650 on our WEB site the warranty will be 1 year.** Products returned to service center must be sent prepaid, insured and packaged appropriately for safe shipment. The repaired item will be shipped to customer, by Circuitronique Estrie Inc. no later than (30) days after receiving postage paid.

Made in Canada :

Circuitronique Estrie Inc.

6291 Rodrigue, Sherbrooke, Québec, J1N 3A8

Phone: (819) 864-4637

Web site : www.vigil.qc.ca Email : info@vigil.qc.ca

PBOX S650

DIGITAL SURVEILLANCE STILL CAMERA



User's Manuel


Before operating the unit, please read this manual and the camera manual thoroughly, and retain it for future reference.

Quick start guide

Insert 2 AA batteries on camera, make sure the camera is off, open the battery compartment/card cover on the side of camera and insert the batteries and close the cover. For extended battery life, we recommend using LITHIUM batteries on the camera.

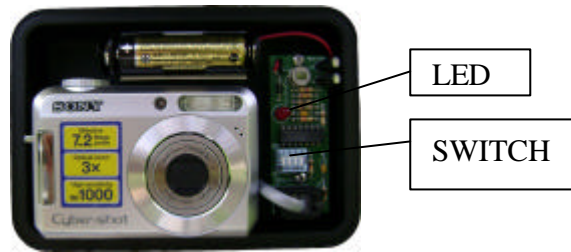
TEMPERATURE	BATTERY TYPE
-40° Celsius to +50° Celsius	ENERGIZER LITHIUM or LITHIUM CR-V3
0° Celsius to +50° Celsius	Rechargeable NIMH 2500 ma/h or better
+10° Celsius to +50° Celsius	ALCALINE (Energizer, Duracell)

Turning the camera on/setting the clock

- 1 Select  (green camera) with the mode dial, then press the POWER button.
- 2 Set the clock with the control button.
 - 1- Select the date display format with ▲/▼, then press ●.
 - 2- Select each item with ◀/▶ and set the numeric value with ▲/▼, then press ●.
 - 3- Select (OK) with ▶, then press ●.

For all others setting on the camera please refer to your basic manual or the CD-ROM included with the PBOX.

If you want to take picture set the mode dial to AUTO or if you want you can take 10 seconds video clip if you set the mode dial to VIDEO CAMERA logo.



Switch setting on the electronic circuit board

Insert 2 AA batteries on the battery clip. You can use alkaline or lithium batteries. Never use 9 volt battery; you can cause serious damage to the PBOX. Batteries life varies depending on the type of battery, weather conditions, etc. (approx. 6 month)

TEMPERATURE	BATTERY TYPE
-40° Celsius to +50° Celsius	ENERGIZER LITHIUM
0° Celsius to +50° Celsius	ALCALINE (Energizer, Duracell)

Switch # 1

Slide the switch #1 up to put power ON on the circuit board. After you put power on circuit board they have a 2 minutes delay before take his first picture.

Switch # 1	Power
ON / UP ↑	Power ON
OFF / DOWN ↓	Power OFF

Switch # 2 and 3

These switches are to set delays after each picture. You set the switches has you like. You can see below how to set the switches for 4 different delays.

Switch # 2	Switch # 3	Delay
OFF / DOWN ↓	OFF / DOWN ↓	30 seconds
ON / UP ↑	OFF / DOWN ↓	2 minutes
OFF / DOWN ↓	ON / UP ↑	10 minutes
ON / UP ↑	ON / UP ↑	30 minutes

Switch # 4 is for set the sensitivity of the sensor.

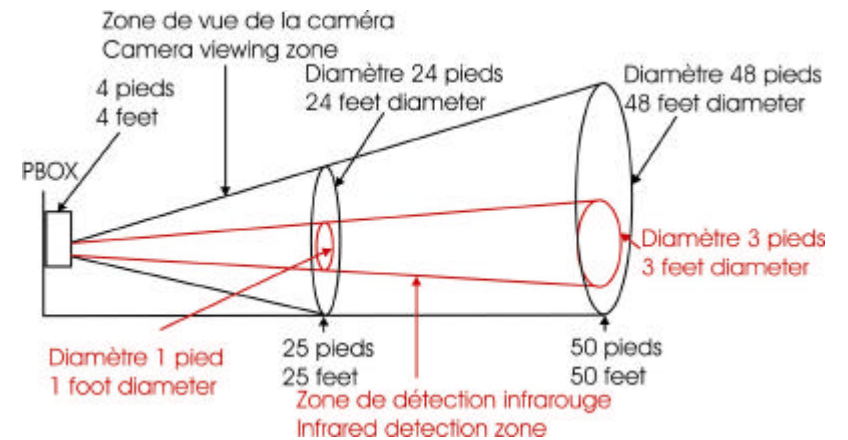
Switch # 4	Sensor sensitivity
ON / UP ↑	Low
OFF / DOWN ↓	Hi

Usually this switch is set to HI, but if you take sometime pictures without game on the picture set the switch # 4 to UP (LOW).

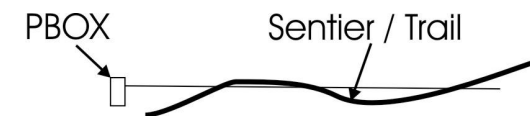
If the red LED flashes has regular time (each second) it is time to change the 2 AA batteries on the battery clip. This red LED is come on each time they have detection.

After you have made all setting on the camera and switches on the circuit board it is time to place the PBOX.

Here is the infrared and camera viewing zone.



If you want to install the PBOX on the trail to detect the game in movement, please check the example below to know how to install the PBOX.



Please note after detection that there will be at least delay between pictures.